



PUREMATE

USER MANUAL

MULTIPLE TECHNOLOGIES TRUE HEPA AIR PURIFIER WITH IONISER

TRUE HEPA . UV-LIGHT . ODOR REDUCER

MODEL : PM 520



Thank you for purchasing the innovative PureMate Air Purifier PM520 .We wish you many years of healthy indoor air with this efficient and effective product.

SAFETY OPERATION

Ensure that all safety precautions are followed when using electrical appliances for the proper operation of the device.

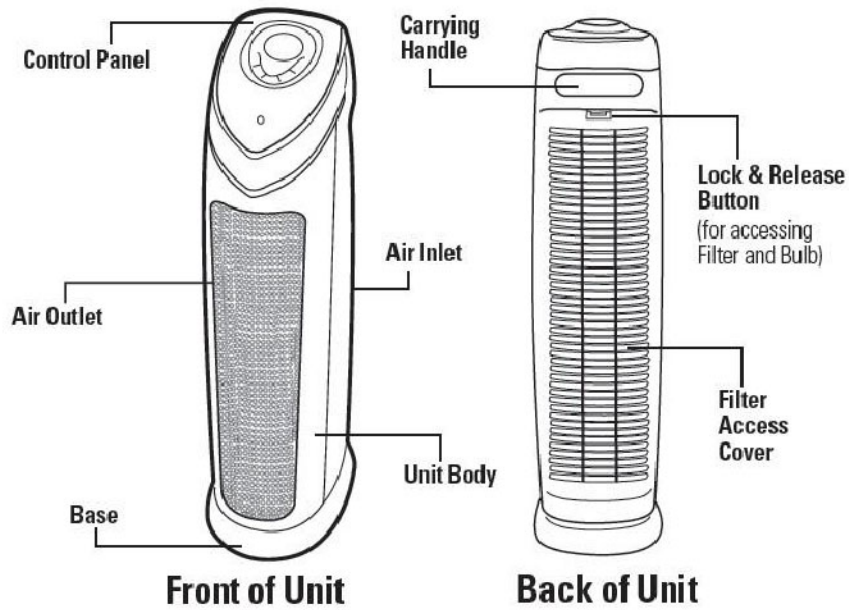
This instruction booklet describes the safety precautions to be observed during operation to prevent injuries to yourself, other persons and damage to the device. The content not only is suitable for this product but also suitable for electrical appliances in general.

SAFETY INSTRUCTIONS

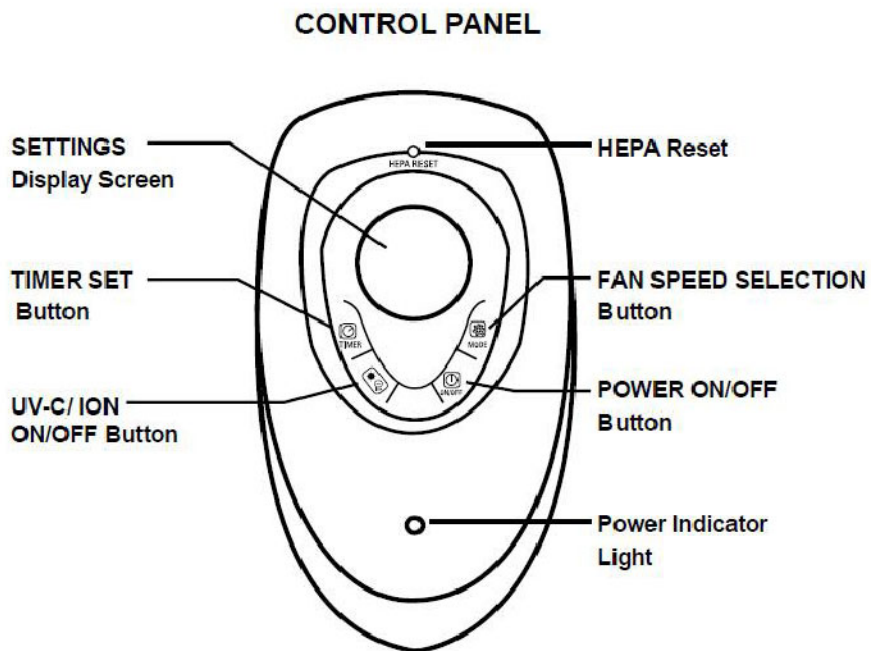
- To avoid fire or shock hazard, plug the appliance directly into a 220-240V AC electrical outlet.
- Keep the cord out of heavy traffic areas. To avoid fire hazard, NEVER put the cord under rugs, near heat registers, radiator, stoves or heaters.
- Keep unit away from heated surfaces and open flames.
- To protect against electrical hazards, DO NOT immerse in water or other liquids. Do not use near water.
- Children cannot recognize the hazards associated with the usage of electrical appliances. For this reason, always supervise children when they are near the unit.
- Always unplug the air purifier before moving it, opening the grill, changing filters, cleaning or whenever the air purifier is not in use. Be sure to pull by the plug and not the cord.
- NEVER drop or insert any object into any openings.
- DO NOT run cord under carpeting.
- DO NOT cover cord with throw rugs, runners, or similar coverings.
- DO NOT route cord under furniture or appliances. Arrange cord away from traffic area and where it will not be tripped over.
- DO NOT operate any appliance with a damaged cord or plug, if motor fan fails to rotate, after the appliance malfunctions, or if it has been dropped or damaged in any manner. Please Call Customer Service for assistance
- Use appliance only for intended household use as described in this manual. Any other use not recommended by the manufacturer may cause fire, electric shock or injury to persons
- DO NOT use outdoors
- NEVER block the air openings, grills/outlets or place on a soft surface such as a bed or sofa, as this could cause the unit to tip over, blocking the air intake or outtake opening
- DO NOT attempt to repair or adjust any electrical or mechanical functions on this unit. Doing so will void your warranty. The inside of the unit contains no user serviceable parts. All servicing should be performed by qualified personnel only
- DO NOT place anything on top of unit
- To prevent interference and distortion the device should be placed at least 1 meter away from computer, television or radio.

WARNING: To reduce the risk of fire or electric shock, do not use this unit with any solid-state speed control device.

COMPONENTS



CONTROL PANEL



DIGITAL AIR CLEANING SYSTEM

Improve your indoor air quality with your new PureMate® Air Cleaning System. Multiple levels of cleaning include a combination True HEPA filter that captures allergens, and Charcoal filter to remove odors. UV-C light technology enhances germ-killing.

Pre-Filter*

Captures initial dust and allergen particles.

Charcoal Filter* (aka Activated Carbon)

Charcoal/Activated Carbon contributes to the control and prevention of the growth of bacteria, germs and mold.

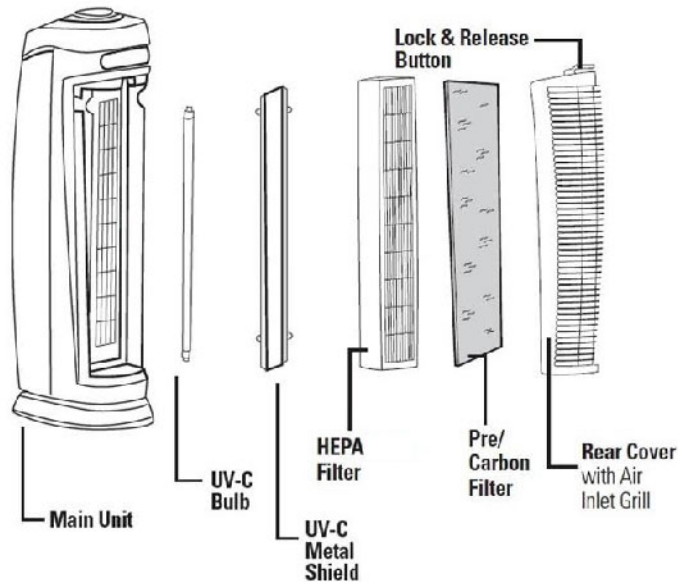
True HEPA Treatment Filter

Captures 99.97% of dust and allergens.

UV-C Light

UV-C light technology works with Titanium Dioxide (TiO₂) to enhance the elimination of airborne germs. TiO₂ is activated by the UV-C light to decompose remaining odor molecules caused by smoking, cooking and pets.

*Pre-Filter and Charcoal Filter are combined into one layer that attaches to the HEPA/Anti-Mite Filter.



1. Carefully remove your air purifier from the gift box and the bag.
2. Remove the back cover and remove the filter from the bag.
3. Select a firm level and flat location. For proper air flow, locate the unit at least 1 foot (0.3 M) from any wall or furniture. Ensure no grills are blocked.
4. Plug the power cord into a 220-240V AC 50HZ outlet.
5. Always lift your air purifier by the handle of the unit.

OPERATING INSTRUCTIONS

1. The air purifier may be operated by the manual controls located on the air purifier (as shown in **Control Panel**).

2. Turn unit power ON.

3. Select fan speed MODE 1 - 5

(1 = lowest speed setting; 5 = highest speed setting)

Select UV-C lamp and Ioniser ON or OFF by using **UV&ION** Button.

Press **UV&ION** Button to turn on the UV lamp and Ioniser.

Press the **UV&ION** button again to turn off Ioniser while UV lamp is still on.

The third time you press the **UV&ION** button, the Ioniser will be turned on and the UV lamp will stop working.

The fourth time you press the **UV&ION** button, both the Ioniser and UV lamp will be turned off.

Then repeat.

4. **TIMER:** If you prefer to run the purifier for a specific number of hours, you can select between 1 and 8 .hours on the display.

***Filter Replacement Indicator:** The HEPA reset light on the control panel will illuminate indicating that it is time to replace your filter. Replace the filter according to directions, then insert pen tip into HEPA Reset area on control panel to restart the system. Depending on usage, filter will last approximately 12 months.

WHAT IS CADR?

CADR stands for “Clean Air Delivery Rate” which indicates the volume of filtered air delivered by an air purifier. CADR ratings show the effectiveness of how efficient the air purifier is at capturing fine particules from things like tobacco smoke and plant pollens from the room.

Clean Air Delivery Rate

From air cleaner to air cleaner, compare the CADR numbers. First look at suggested room size. Then refer to the Clean Air Delivery Rate (CADR) numbers. The higher the number, the faster the unit filters the air.

This air cleaner is suggested for use in a single, closed room up to 325 square feet.

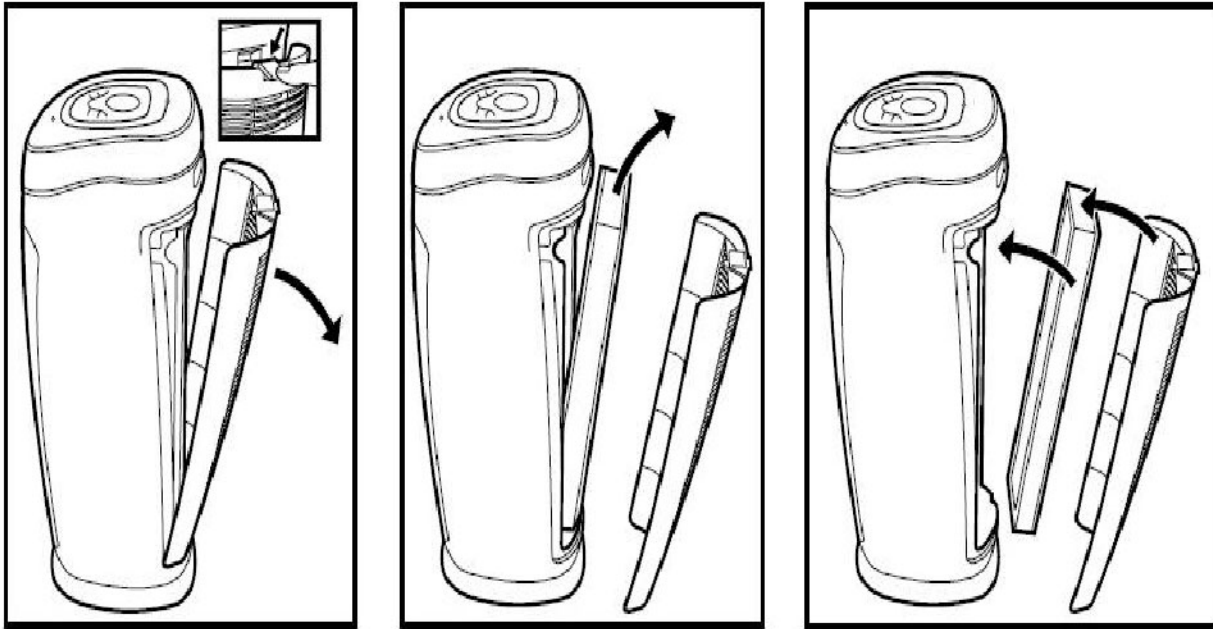
Higher CADR rates provide improved performance in all room sizes. Portable air cleaners will be much more effective in rooms when all the doors and windows are closed.

Tobacco Smoke: 126+

This value represents performance that can be expected within the first 72 hours of operation. Subsequent use may vary with use.

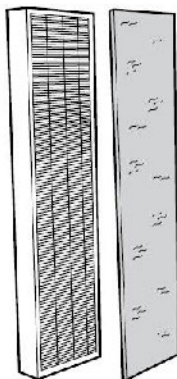
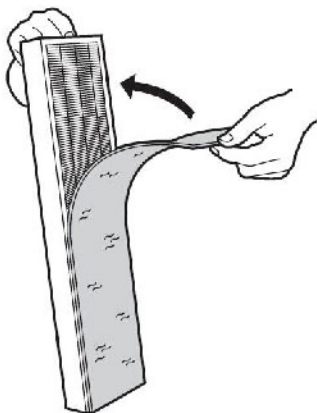
REMOVING AND INSTALLING COMBINATION FILTER

1. Turn off and unplug the unit.
2. Press the Lock & Release button and remove the rear cover from the unit.
3. Remove the used HEPA filter and dispose of it in the garbage. Replace with new HEPA filter then insert it into the air purifier. Please consult the arrow on the HEPA filter to install.
4. Install the rear cover back to unit and ensure it is flush with the surrounding surface and securely latch in place.



NOTE:

- a. Do NOT try to wash and re-use the HEPA filter. Please contact the seller to purchase extra new HEPA filter.
- b. There is a pre-filter and a charcoal filter attached on the HEPA filter together.



*Filter must be removed from plastic bag before use.

Note: Pre Charcoal Filter is affixed to True Hepa Filter with velcro

Filter Package includes:

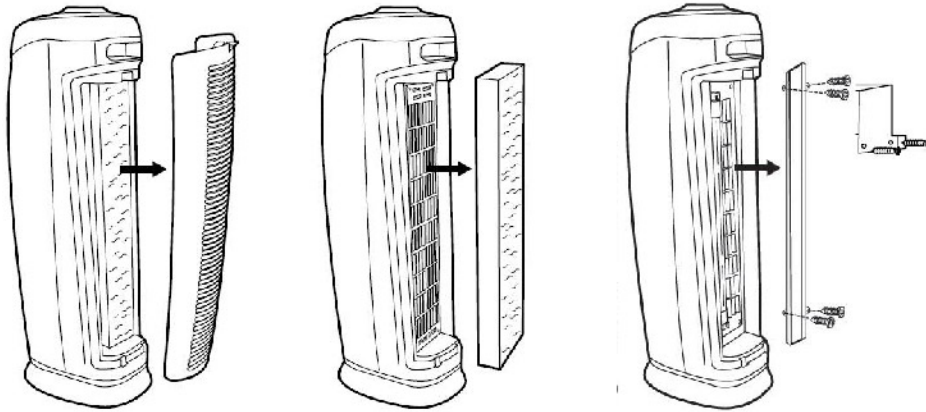
1 True HEPA Filter

1 Pre -/Charcoal Filter



Create ONE COMBINATION FILTER

REMOVING AND INSTALLING UV-C LAMP

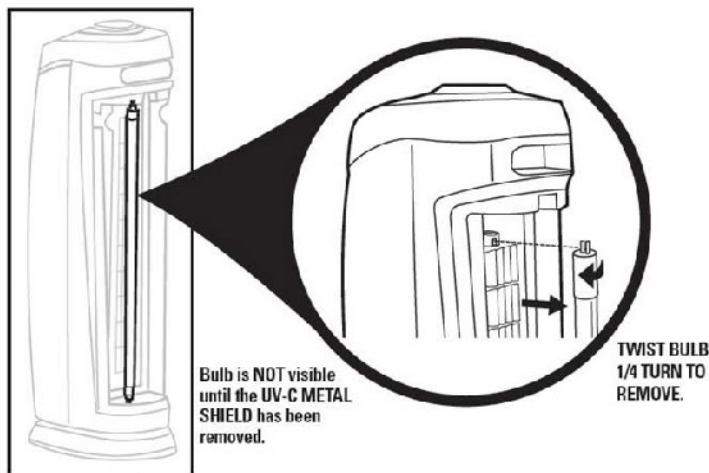


1. Remove the Rear Cover of the unit by pushing Lock & Release Button.

2. After removing the Rear Cover from the unit, remove the Combination Filter.

3. After removing the Combination Filter, use a Philips head screwdriver to remove four (4) screws and detach the UV-C Metal Shield.

4. The UV-C Bulb is removed by carefully grasping the bulb with a clean cloth or tissue and pulling the bulb straight out of the unit. (See Picture Below).



Important: The UV-C Bulb should be replaced every 12 - 18 months depending on use. Please contact Customer Service or visit us at www.PureMate.co.uk to purchase a replacement bulb.

5. The UV-C Bulb is reinstalled by sliding it, vertically, back into the slots at the top and bottom of the unit.

TROUBLE SHOOTING TIPS

| Problem | Solution |
|---|---|
| Unit does not operate. | Check that the unit is plugged in. Please Call Customer Service |
| Unit shuts off unexpectedly. | Check that the unit is plugged into a working electrical outlet. Check that the HEPA Filter is firmly in place. Check that the Rear Cover is latched firmly in place. Please Call Customer Service |
| No air circulating from unit. | Unplug unit. Check Pre-Charcoal and HEPA Filters. Clean Pre-Charcoal Filter if necessary. Replace HEPA Filter if necessary. |
| Increase in noise level. | Make sure the filters are clean. Replace if necessary. |
| Control buttons 'beep' when pushed. | To shut off the 'beeping' sound when buttons are pushed: 1. Press and hold the 'TIMER' and 'UV/ION' for 3 seconds simultaneously to turn off the 'Beeping' sound. 2. Repeat the action to turn on the 'Beeping' sound again. 'Beeping' will automatically be reset to ON when the unit is unplugged. |
| Unit making long beeping sound (approx. 30 seconds) | Time to change the filter. Refer to installation of filter section. |

SPECIFICATIONS

| | |
|----------------------------|--|
| Model: | PM520 |
| Rated Voltage: | 220-240V 50Hz |
| Power Consumption: | 22W(Low Setting) 60W (Highest Setting) |
| Noise Level: | Silent fan 20 dB(A) (Low), 60 dB(A) (HI) |
| Negative Ions: | $\geq 3 \times 10^6/\text{cm}^3$ |
| Removal Rate: | Up to 99.97% |
| UV Lamp wavelength: | 20uW (Frequency: 254nm) |
| Clean Air Production Flow: | 78 m ² /hour |
| Air Flow Rate: | 240 m ³ /hour |
| CADR Rating (High speed): | Smoke: 126, Dust: 140, Pollen: 150 |
| Dimensions (L x W x H): | 17.6(L)x 27.7(W) x 70(H) CM 6.93(L)x 10.63(W) x 27.55(H) Inch |
| Net Weight: | 4.7kg (10.36 lbs.) |
| Gross Weight: | 6kg (13.23 lbs.) |
| Applicable Area: | up to 600 ft ² (56 m ²) |

WARRANTY INFORMATION

PureMate products are subject to strict quality control before leaving the manufacturer. This allows our customers to benefit from repairs, replacement of parts and even replacements for free. The product has 2 years warranty from the date of purchase.

The warranty shall not apply:

- To any product subjected to misuse, alteration, act of God, improper handling, improper transport, improper testing or unauthorized repair.
- To cosmetic problems or defects which result from normal wear and tear under ordinary use yet not affecting the performance or use of the product.
- If the product is disassembled or altered.
- To any packing, transportation, export / import tax or any related expenses.
- Regular replacement parts such as air filter cartridges and UV-C Lamp.

Customer must present the sales invoice or receipt for 2 years warranty services.

What You Must Do

1. Contact PureMate customer Service at:



+44 121 270 9423 www.PureMate.co.uk

for Return Authorization Number.

2. Pack the product in its original carton, and in the same manner in which you received it, or as identical as possible.
3. Include proof of purchase inside box along with the Return Authorization Number.
4. Label and ship the unit, freight pre-paid, to the address provided.

Other Conditions

The provisions of this warranty are in lieu of any other written warranty whether express or implied, written or oral, including any warranty of merchantability or fitness for a particular purpose. The manufacturer's maximum liability shall not exceed the actual purchase price paid by you for the product. In no event shall the manufacturer be liable for special, incidental, consequential, or indirect damages. This warranty does not cover a defect that has resulted from improper or unreasonable use or maintenance, faulty assembly, accident, natural catastrophes, improper packing, or unauthorized tampering, alteration, or modification as determined solely by us. This warranty is void if the label bearing the serial number has been removed or defaced.

DISPOSAL OF THIS DEVICE



At the end of the product lifecycle, you should not throw this machine into the normal house hold garbage but bring the product to a collection point for the recycling of electrical and electronic equipment.